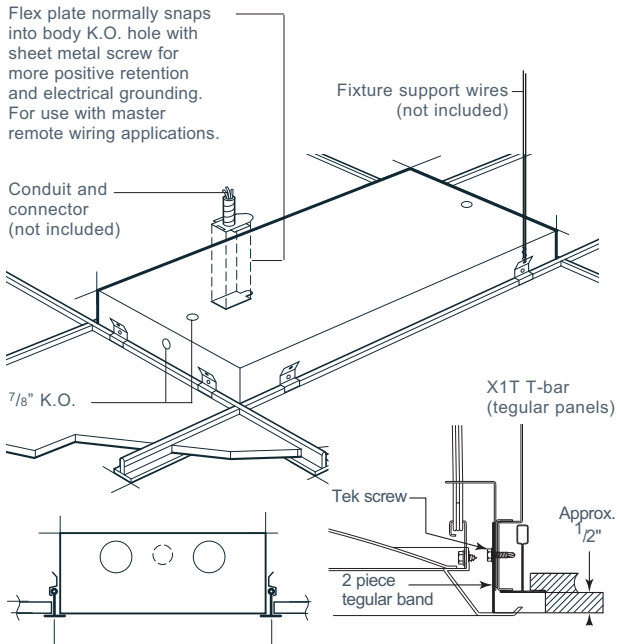


# Ceiling Systems

## X1

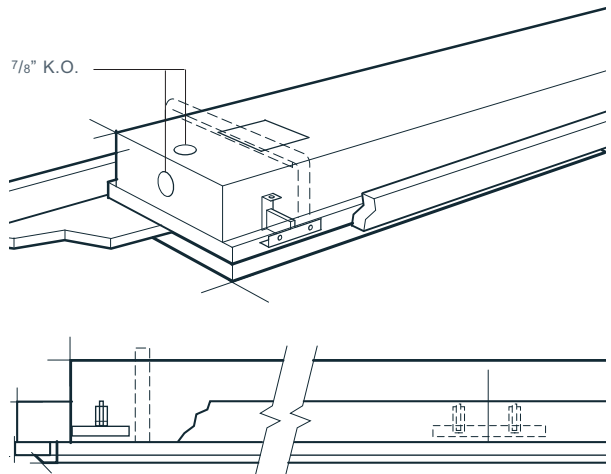
T-bar (exposed)



## X3A

hard ceiling (swing arm mounting brackets)

**Requirements** Ceiling opening must be 1" wider and longer than body total. Four mounting arms per 2', 3' and 4' fixtures. (Supplied with fixtures.)



## X3B

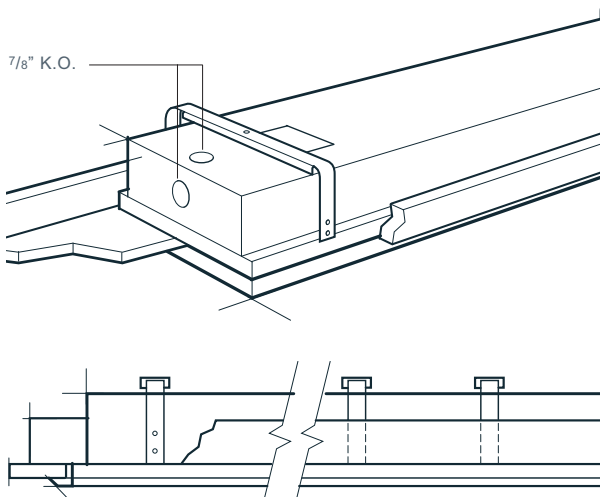
hard ceiling (overhead mounting brackets)

**Requirements** Ceiling opening must be x wider and y longer than body total.

Bionic  $x=1/4"$   $y=1/4"$

P43  $x=1/2"$   $y=5/8"$

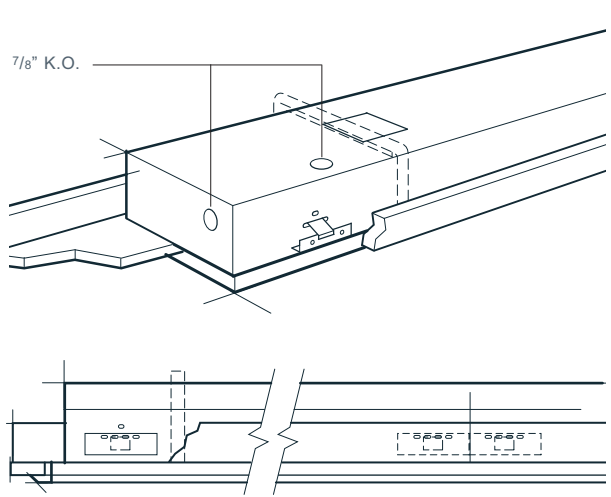
Others  $x=1"$   $y=1"$



## X3C

hard ceiling (side lever mounting brackets)

**Requirements** Ceiling opening must be 1/2" wider and longer than body total. Four brackets per 2', 3' and 4' fixtures.



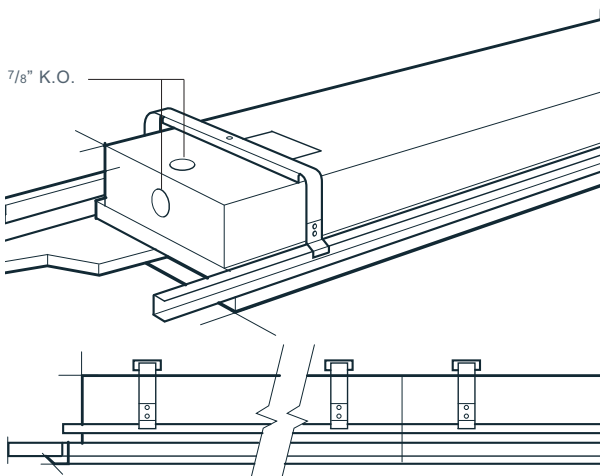
Prudential reserves the right to change design specifications or materials without notice.

# Ceiling Systems

## X4B

hard ceiling ("C" channel)

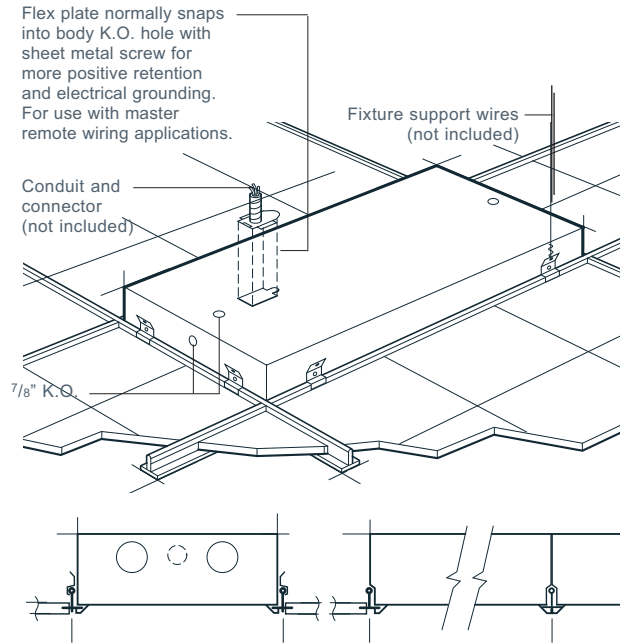
**Requirements** Ceiling opening must be 1" wider and longer than body total.



## X5

T-bar (concealed)

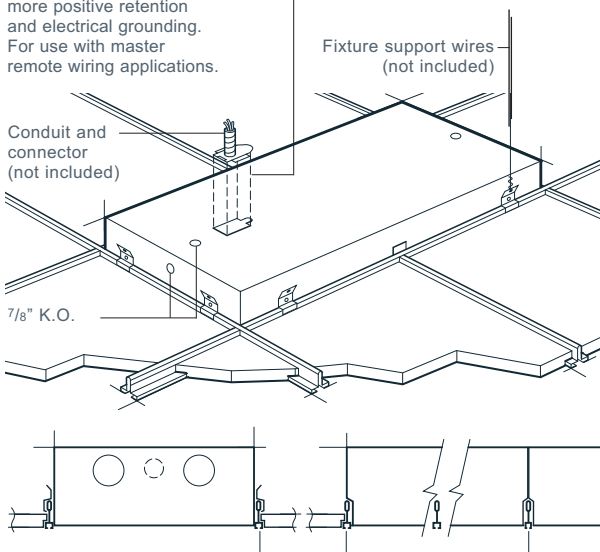
Aluminum trim frames are removable or hinge on torsion springs.



## X6

slot grid

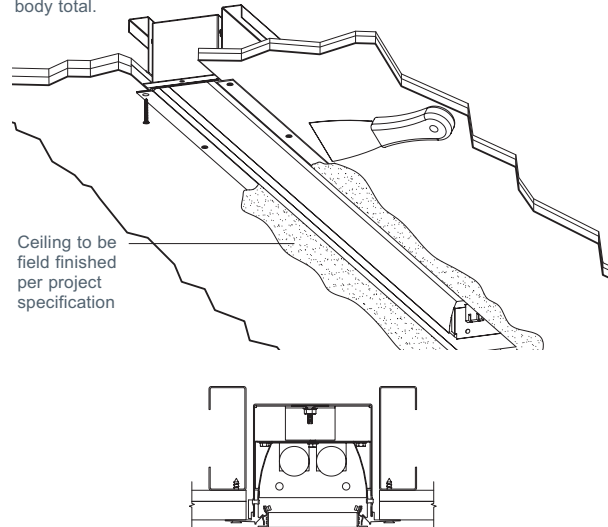
Flex plate normally snaps into body K.O. hole with sheet metal screw for more positive retention and electrical grounding. For use with master remote wiring applications.



## X7

hard ceiling (concealed flange)

**Requirements:** Ceiling opening must be 1/4" wider and longer than body total.



Prudential reserves the right to change design specifications or materials without notice.